

## **Anacapa 32" Vanity with Vitreous China Vanity Top and Medicine Cabinet**



### **AVAILABLE COLOR/FINISH**

Glossy White (PN: 91320281)

Matte Gray (PN: 91320287)

### **SET INCLUDES**

Main Cabinet, Vitreous China Vanity Top w/Integrated Basin, Medicine Cabinet, Mounting Hardware

### **WEIGHT (NET)**

Medicine Cabinet: 44 lb

Main Cabinet with Vanity Top: 91 lb

### **FEATURES**

#### **Vanity**

- Contemporary Floating/Wall Hung Style
- French Cleat Mounting
- Matching Vitreous China Vanity Top Featuring a Centered Rectangular Integrated Basin
- Comes Preassembled
- Pre-drilled hole in countertop for 8" Widespread Faucets
- Pre-drilled Hole for Plumbing
- Constructed with Heavy-Duty PVC Board
- Double Drawers with Pulls
- Concealed Soft-Closing Slides
- Faucet, drain assembly, and P-trap are **NOT INCLUDED**

#### **Medicine Cabinet**

- Matching Surface-Mount Medicine Cabinet
- Copper-Free Mirror
- Adjustable Shelves
- Constructed with Heavy-Duty PVC Board
- Soft-Closing, Stainless Steel Hinges

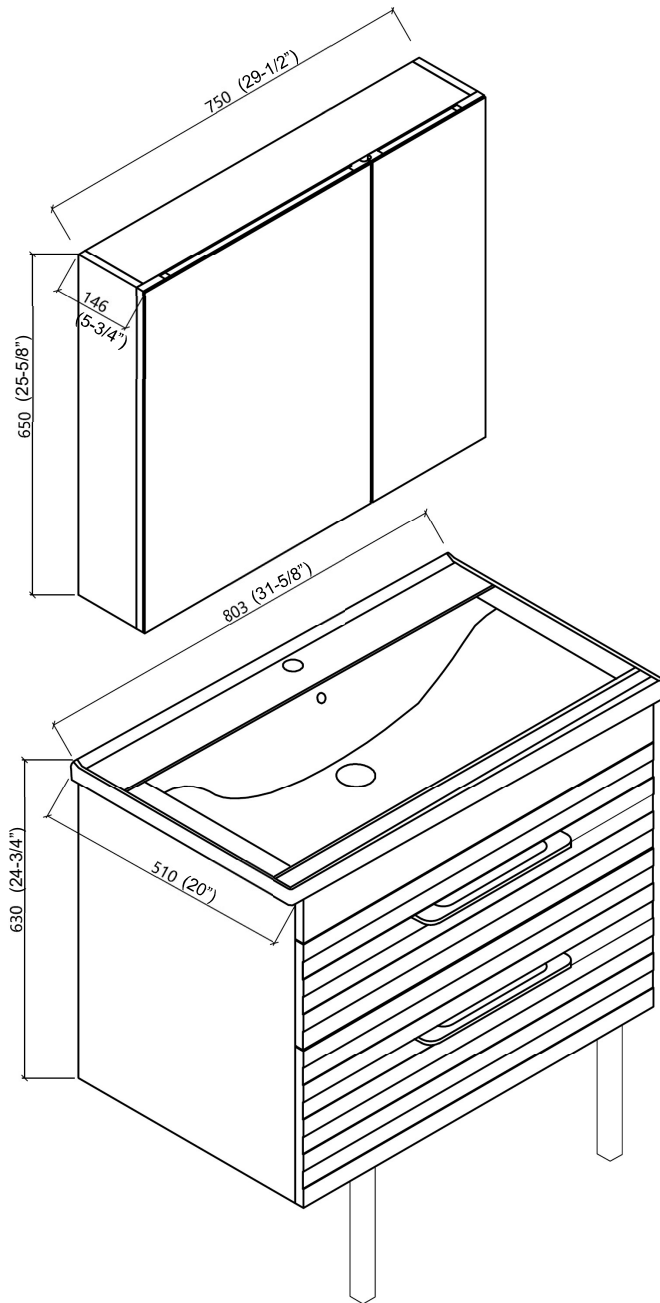
### **CERTIFICATES & COMPLIANCES**

- TSCA Title VI & CARB Phase 2 certified material
- Tested for chemical safety base on CA Pro. 65

### **WARRANTY**

Limited 1-year, please see full warranty for details

## DIMENSIONS



**innoci usa, Inc.**  
Santa Fe Springs, CA 90670

[www.innoci-usa.com](http://www.innoci-usa.com)  
(866) 479-8076

[customerservice@innoci-usa.com](mailto:customerservice@innoci-usa.com)

**innociusa**  
LIFESTYLE

Rev. 2.5